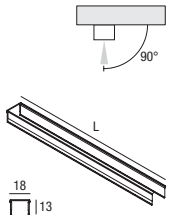


Abmessungen | Dimensions | Dimensioni | Medidas | Dimensions

**ALL CHANNELS AND ENDCAPS WITHOUT DRILLINGS**

NANO Channel 90

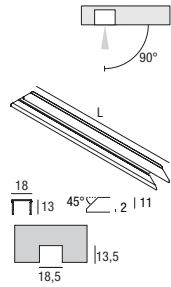


|                               |
|-------------------------------|
| L (MM)                        |
| 300   600   900   1200   3000 |

NANO Endcap 90  
1 mm

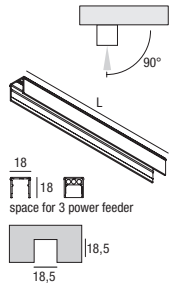


NANO Channel 90 bevel cut



|                        |
|------------------------|
| L (MM)                 |
| 300   600   900   1200 |

NANO Channel 90

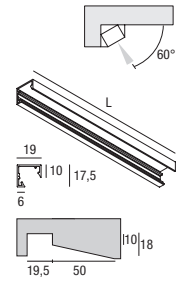


|                               |
|-------------------------------|
| L (MM)                        |
| 300   600   900   1200   3000 |

NANO Endcap 90+  
1 mm



NANO Channel 60

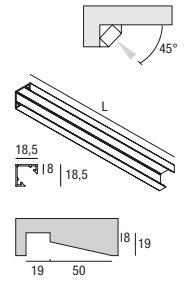


|                               |
|-------------------------------|
| L (MM)                        |
| 300   600   900   1200   3000 |

NANO Endcap 60  
1 mm



NANO Channel 45

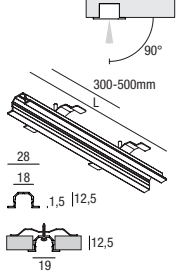


|                               |
|-------------------------------|
| L (MM)                        |
| 300   600   900   1200   3000 |

NANO Endcap 45  
1 mm



NANO Channel frame

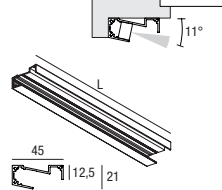


|                               |
|-------------------------------|
| L (MM)                        |
| 300   600   900   1200   3000 |

NANO Endcap frame  
1 mm



NANO Channel 11

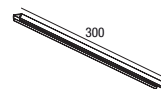


|                               |
|-------------------------------|
| L (MM)                        |
| 300   600   900   1200   3000 |

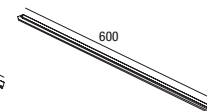
NANO+ Blindcover



NANO+ Blindcover

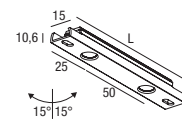


NANO+ Blindcover

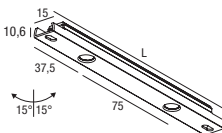


**FOR CHANNEL RECESSED: ADD IN GENERAL 1MM | AND ADD FOR TEMPERATURE EXPANSION +1MM PER METER | OPTIONAL ADD 2X1MM FOR END CAPS**

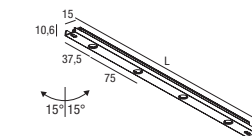
NANO+ 100



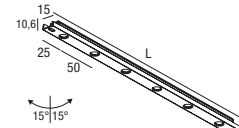
NANO+ 150



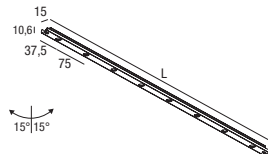
NANO+ 300



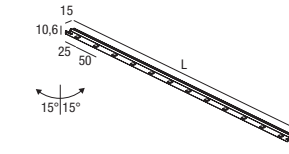
NANO+ 300



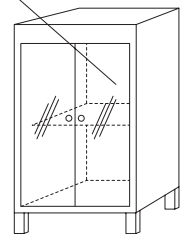
NANO+ 600



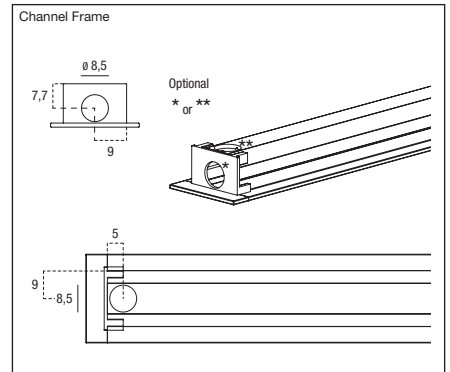
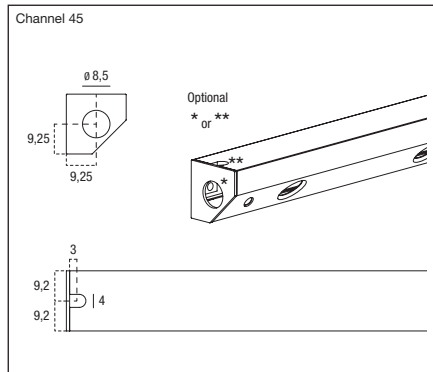
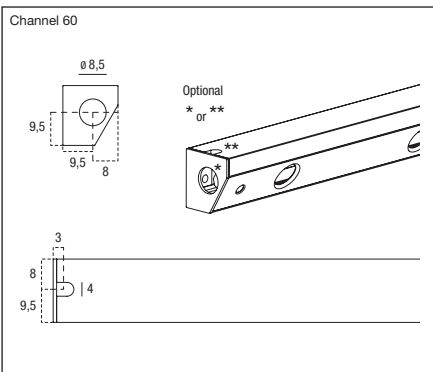
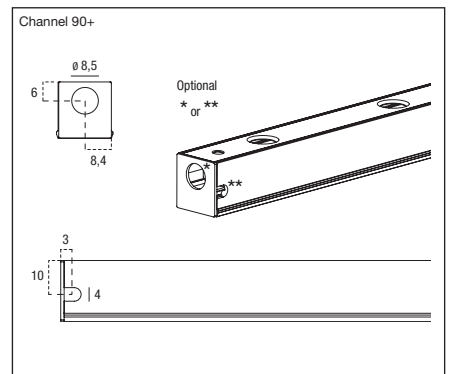
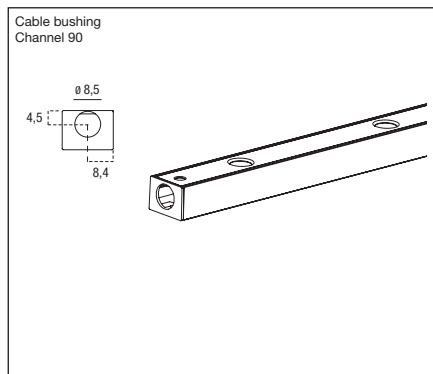
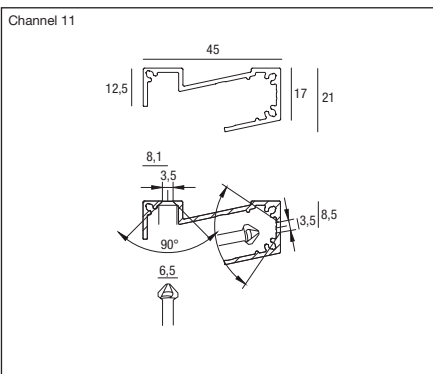
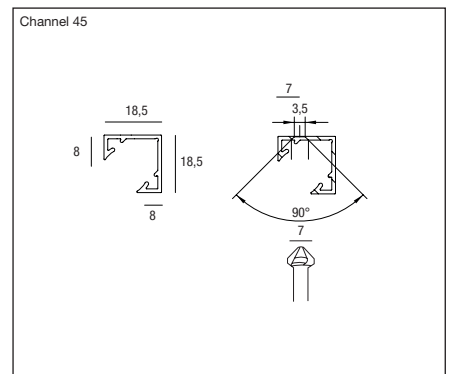
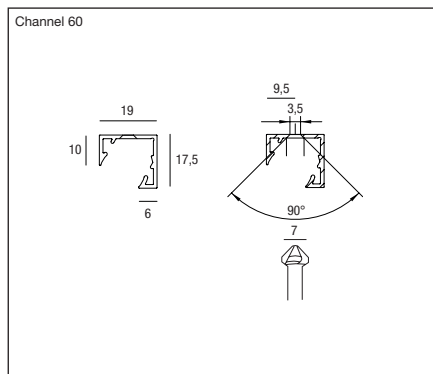
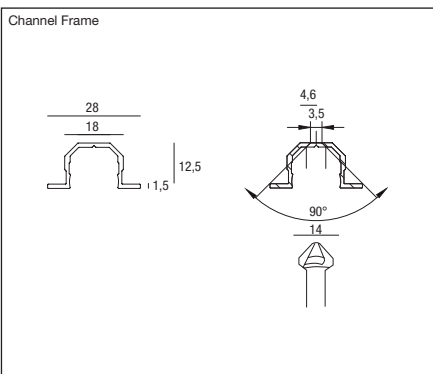
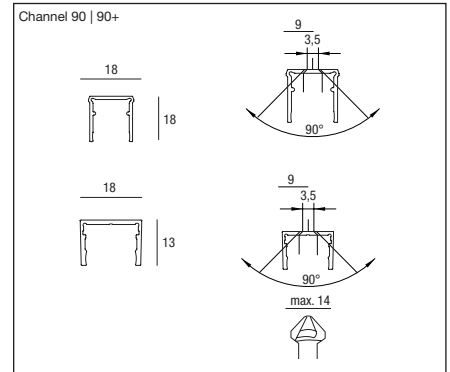
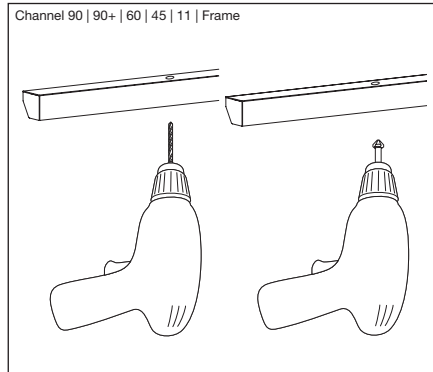
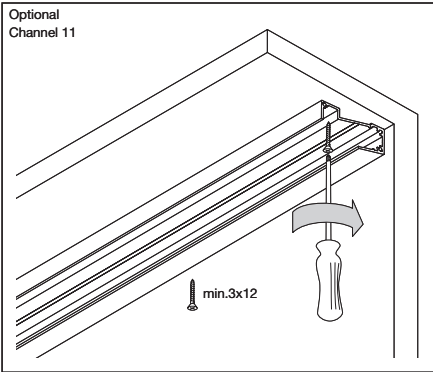
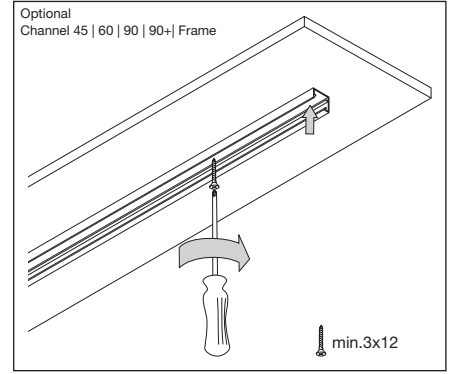
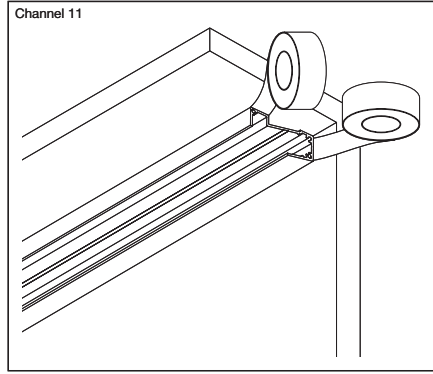
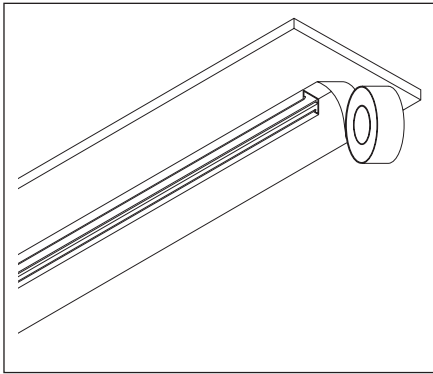
NANO+ 600



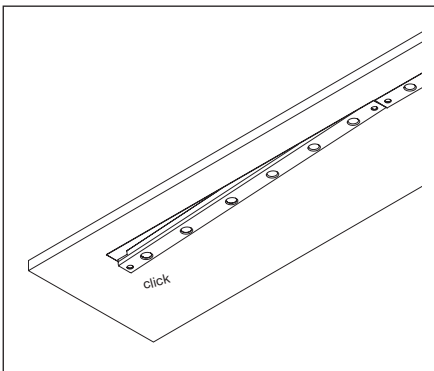
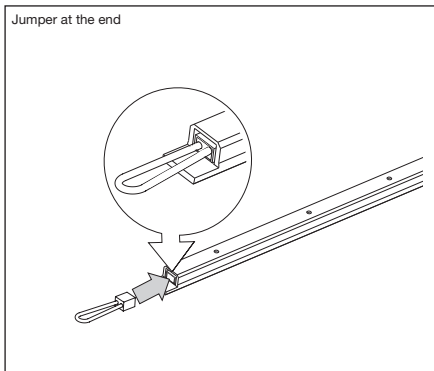
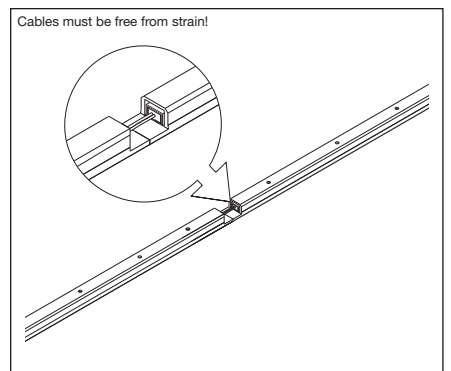
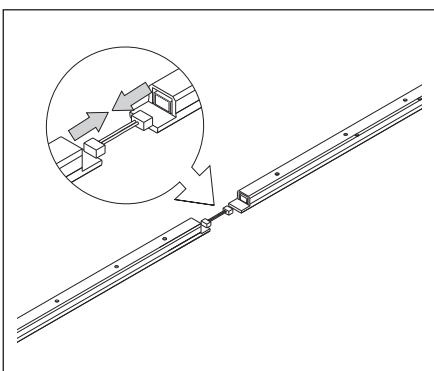
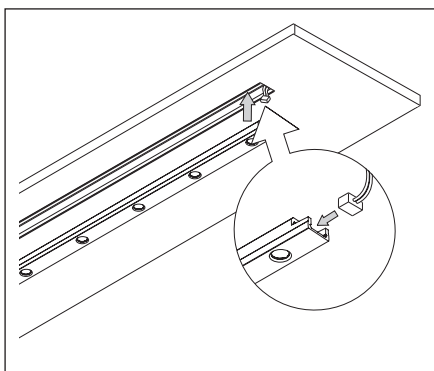
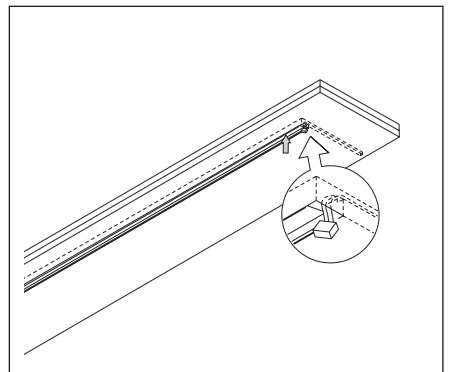
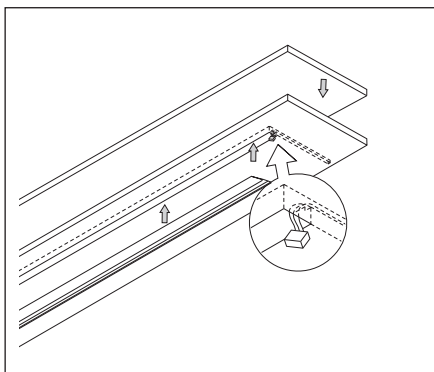
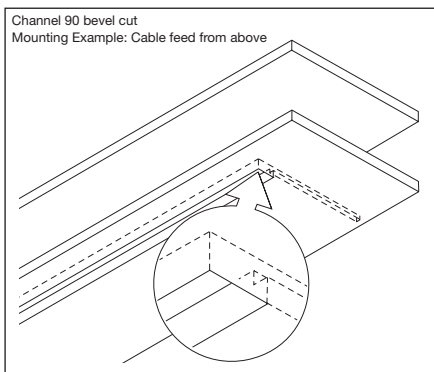
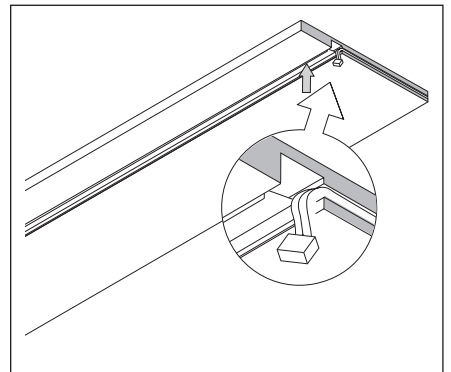
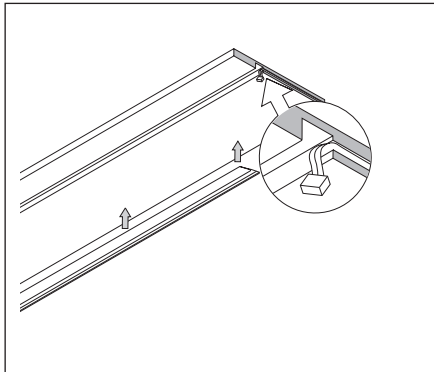
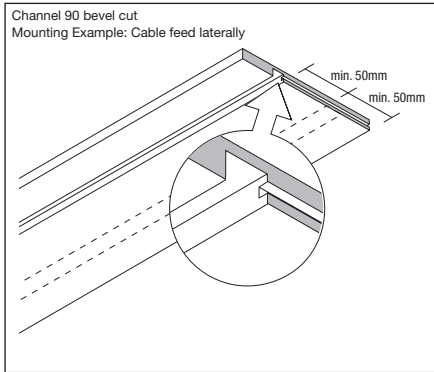
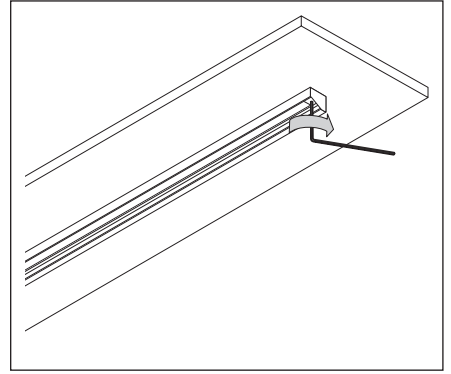
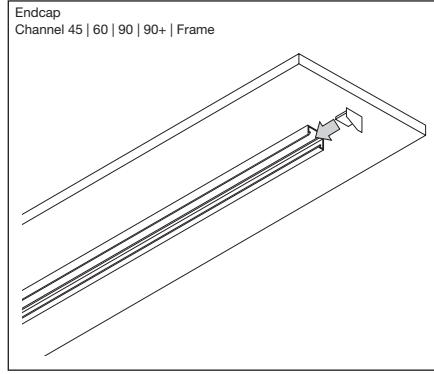
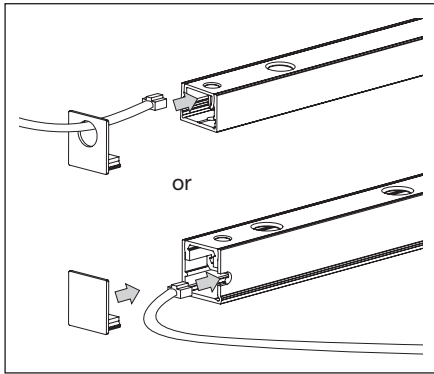
Temp. amb.  
max. 35° C



ALL CHANNELS AND ENDCAPS WITHOUT DRILLINGS



# NANO + TURN

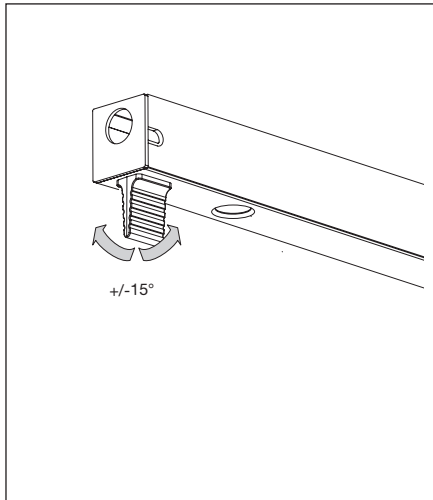
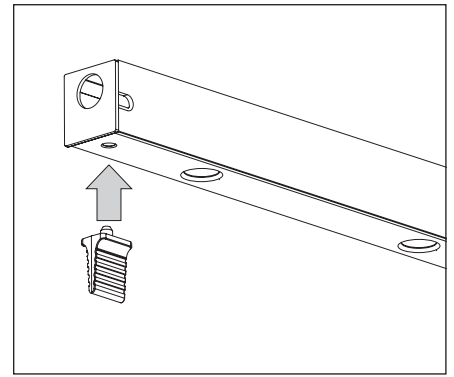
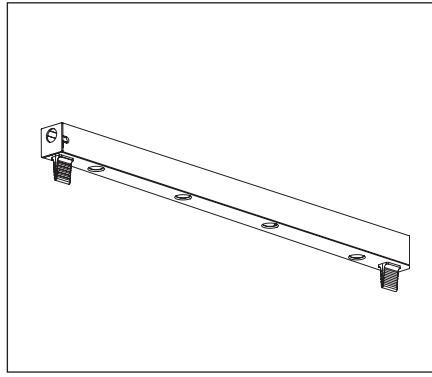
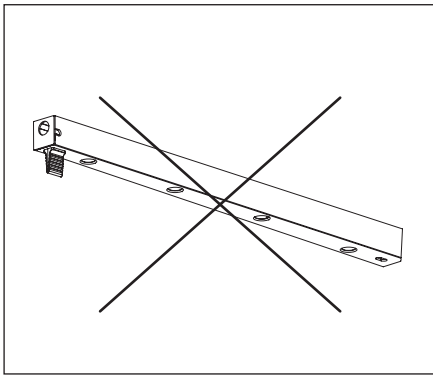


# NANO + TURN

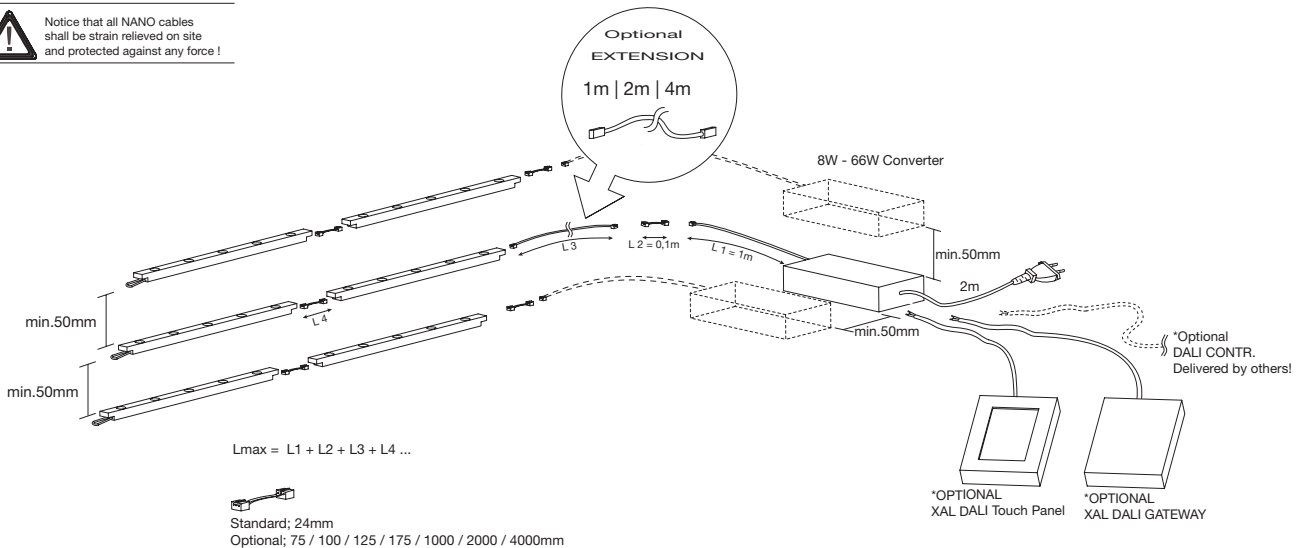
Mounting instruction

468007000039

4/7

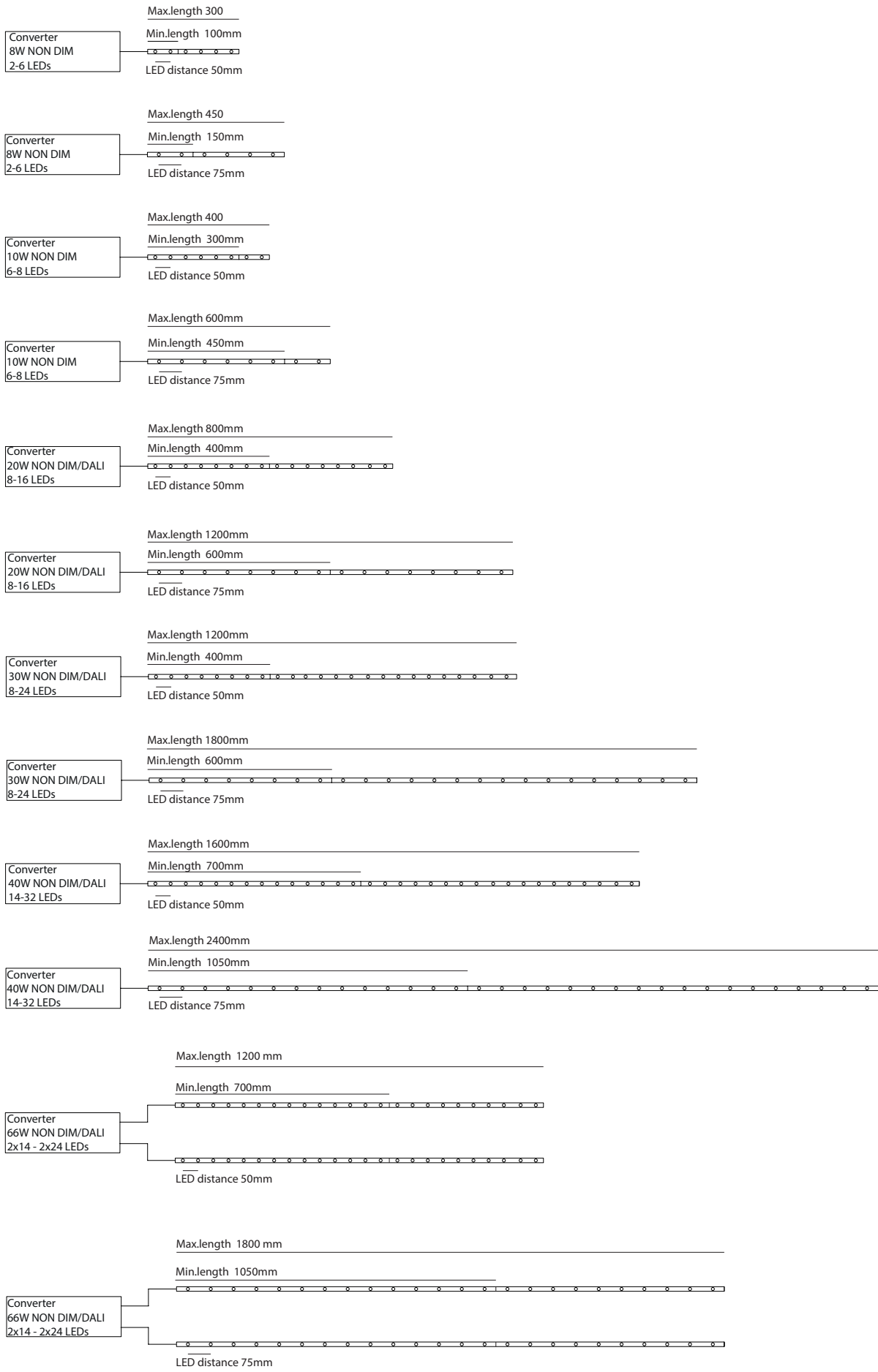


Notice that all NANO cables shall be strain relieved on site and protected against any force!



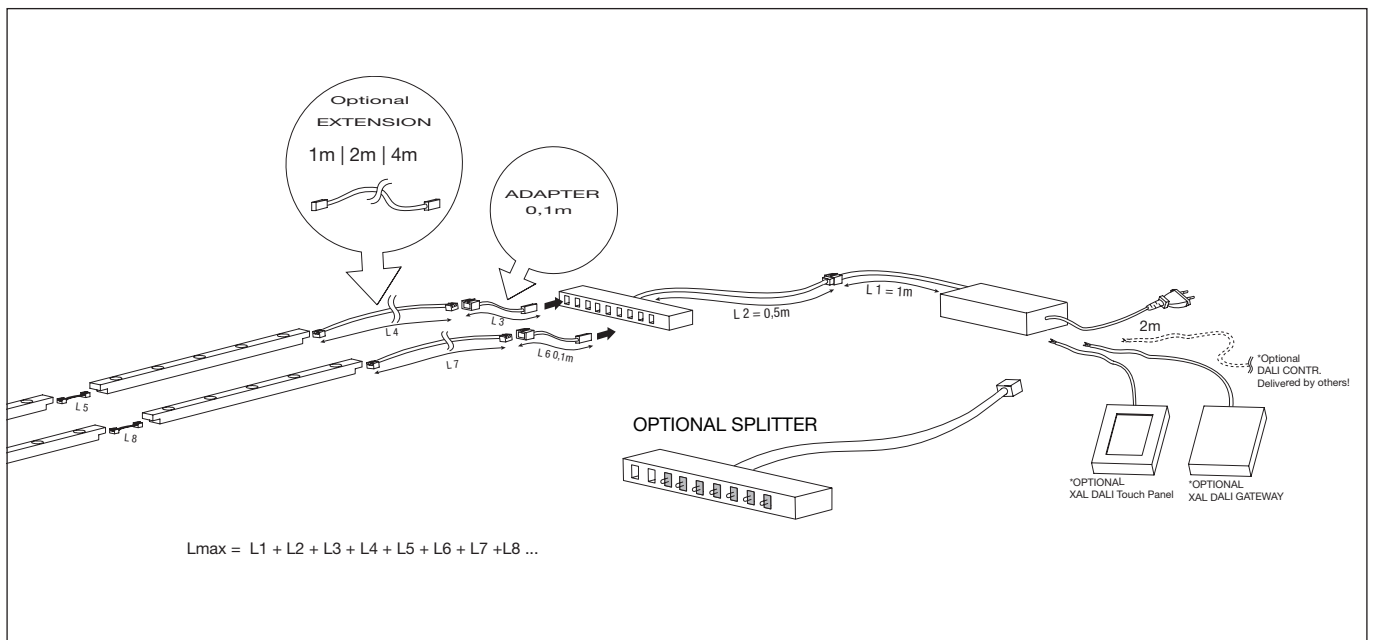
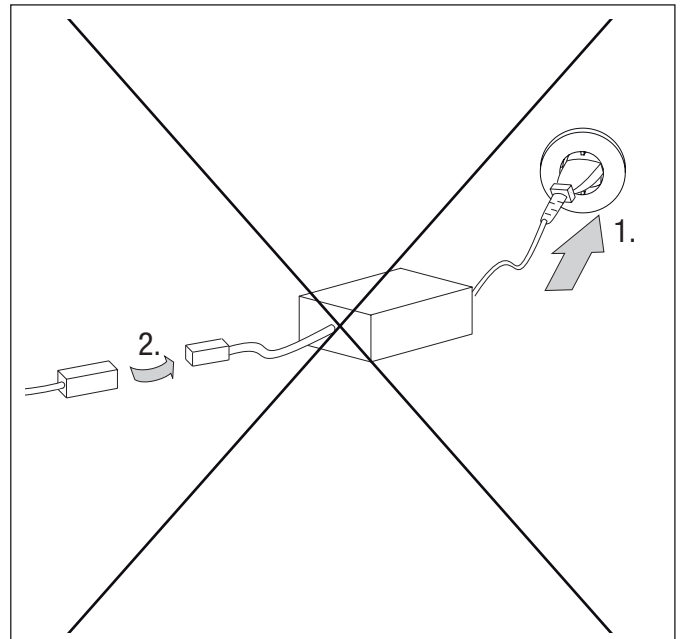
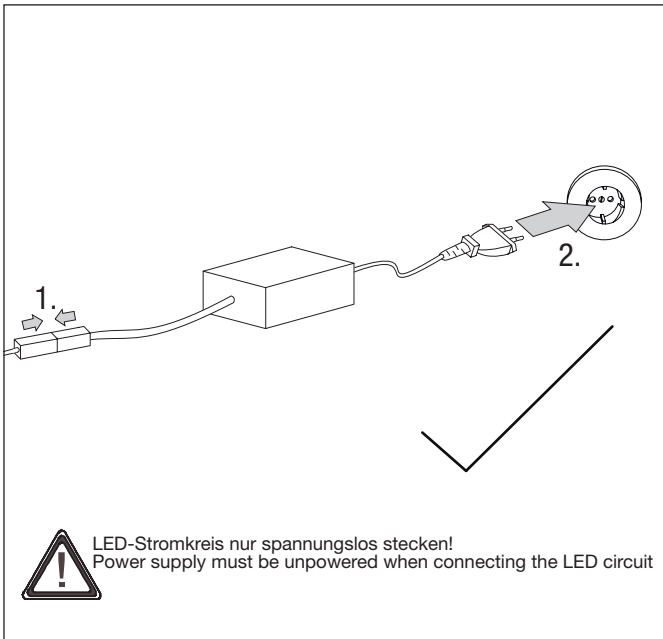
| Converter 700 mA |                    | NANO+ TURN  |          |                            |        |                    |        |
|------------------|--------------------|-------------|----------|----------------------------|--------|--------------------|--------|
|                  |                    | LEDs        | Lmax (m) | Total length of NANO+ TURN |        |                    |        |
|                  |                    |             |          | LED distance 50 mm         |        | LED distance 75 mm |        |
| Min              | Max                | Min         | Max      |                            |        |                    |        |
| 8 W              | NON DIM            | 2 - 6       | 18       | 100                        | 300    | 150                | 450    |
| 10 W             | NON DIM            | 6 - 8       | 5        | 300                        | 400    | 450                | 600    |
| 20 W             | NON DIM / DIM DALI | 8 - 16      | 10       | 400                        | 800    | 600                | 1200   |
| 30 W             | NON DIM / DIM DALI | 8 - 24      | 11       | 400                        | 1200   | 600                | 1800   |
| 40 W             | NON DIM / DIM DALI | 14 - 32     | 11       | 700                        | 1600   | 1050               | 2400   |
| 66 W             | NON DIM / DIM DALI | 2x14 - 2x24 | 2x18     | 2x700                      | 2x1200 | 2x1050             | 2x1800 |

# NANO + TURN



# NANO + TURN

6/7



## AFTER SALES SERVICEHOTLINE

Die XAL After Sales – Hotline steht Ihnen telefonisch von Montag bis Freitag von (MEZ) 7:00 bis 20:00 Uhr oder jederzeit per Email zur Verfügung

The XAL After Sales Hotline is available by phone from Monday to Friday from (MEZ) 7:00 a.m. to 8:00 p.m. or 24/7 via email.



**Hotline: +43 316 3170 9400**

**Email: [service@xal.com](mailto:service@xal.com)**



