

# INSTALLATION CHANNEL

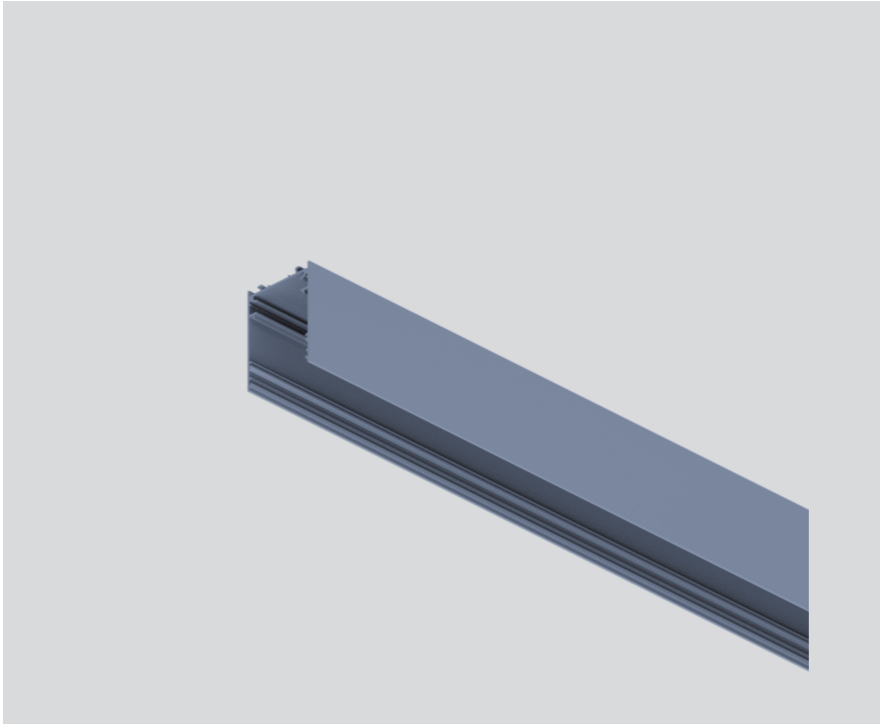
046-400301X



Project / Type

Notes

Count / Date



## General

872 mm

special colours

## Physical

length 872 mm

width 60 mm

height 80 mm

1.2 kg