

INSTALLATION CHANNEL

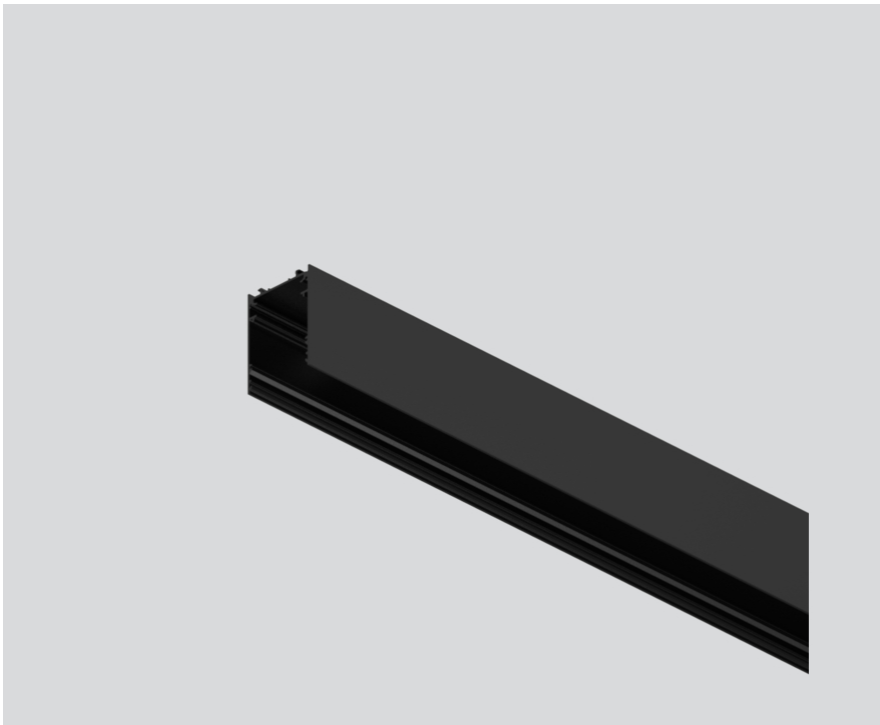
046-4009018



Project / Type

Notes

Count / Date



General

jet black , RAL 9005 ¹

Physical

length 3000 mm

width 60 mm

height 80 mm

4.2 kg

¹ RAL code