

INSTALLATION CHANNEL

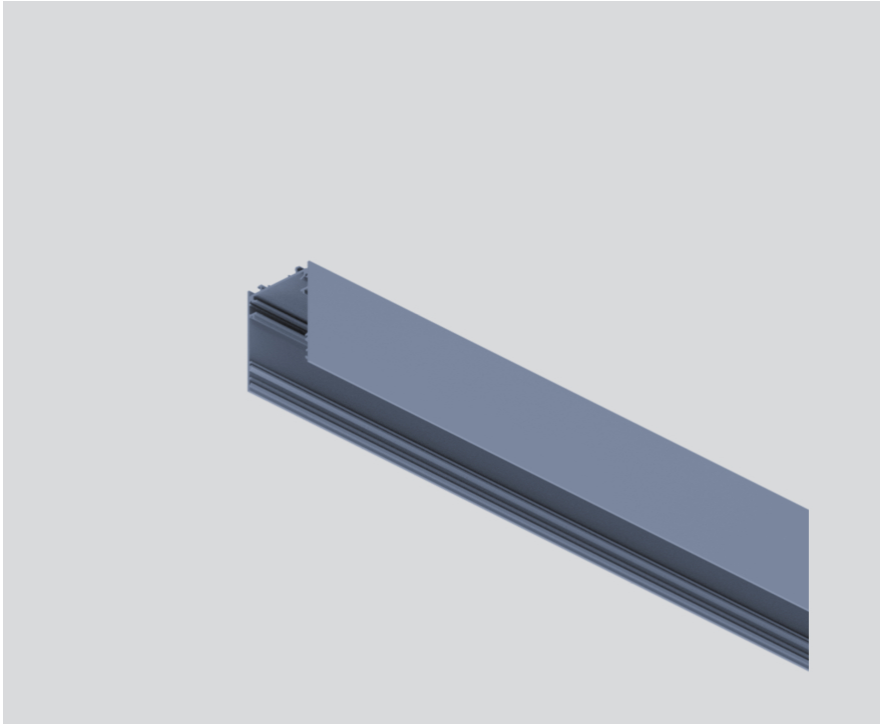
046-400901X



Project / Type

Notes

Count / Date



General

3000 mm

special colours

Physical

length 3000 mm

width 60 mm

height 80 mm

4.2 kg