

# INSTALLATION CHANNEL

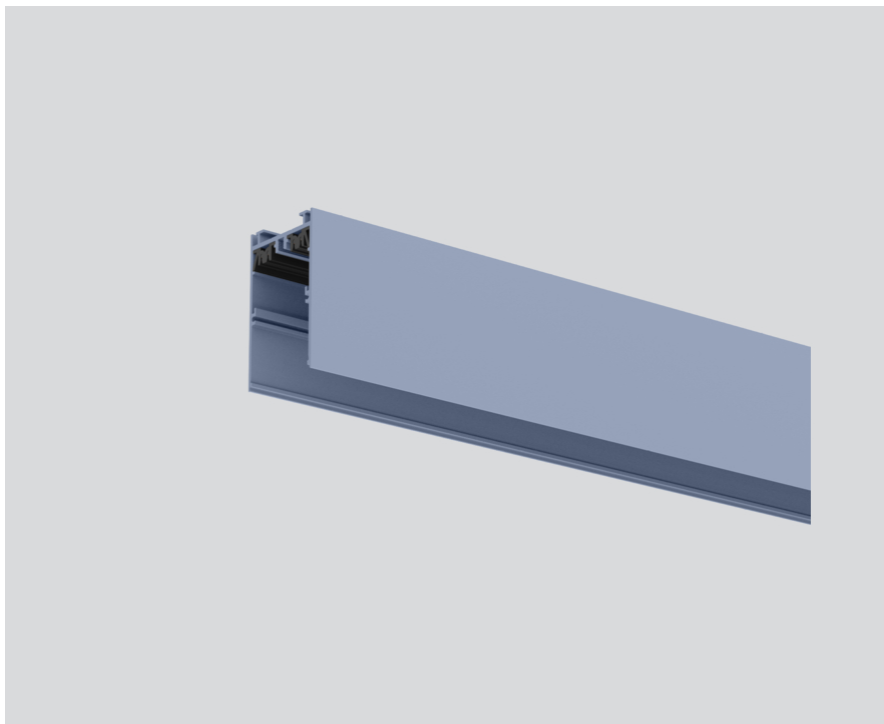
042-100401X



Project / Type

Notes

Count / Date



## General

special colours

## Physical

length 2000 mm

width 40 mm

height 65 mm