

# INSTALLATION CHANNEL

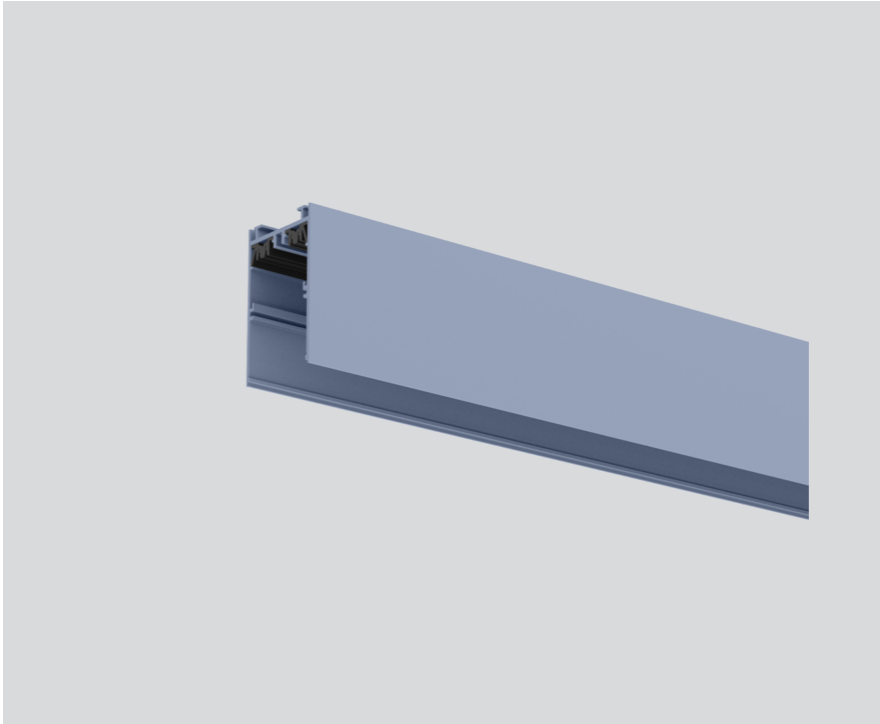
042-100601X



Project / Type

Notes

Count / Date



## General

3000 mm

special colours

## Physical

length 3000 mm

width 40 mm

height 65 mm