

# INSTALLATION CHANNEL

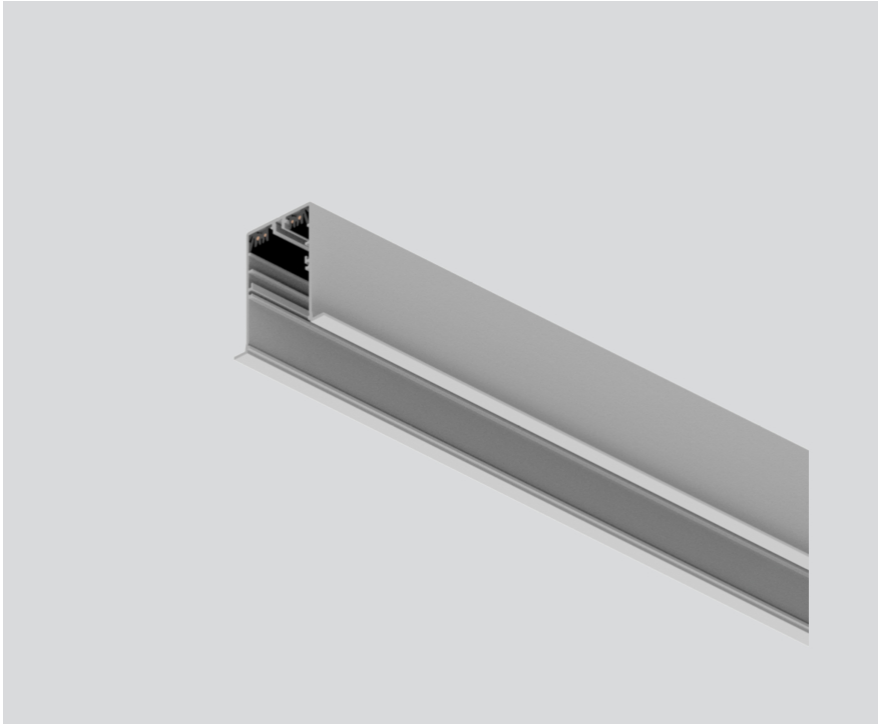
042-700201G



Project / Type

Notes

Count / Date



## General

1000 mm

white aluminium, RAL 9006 <sup>1</sup>

## Physical

length 1000 mm

width 55 mm

height 60 mm

recessed trim

## Cutout

length 1010 mm

width 45 mm

recessed depth 100 mm

<sup>1</sup> RAL code

## Product drawing

