

CONCRETE INSTALLATION HOUSING

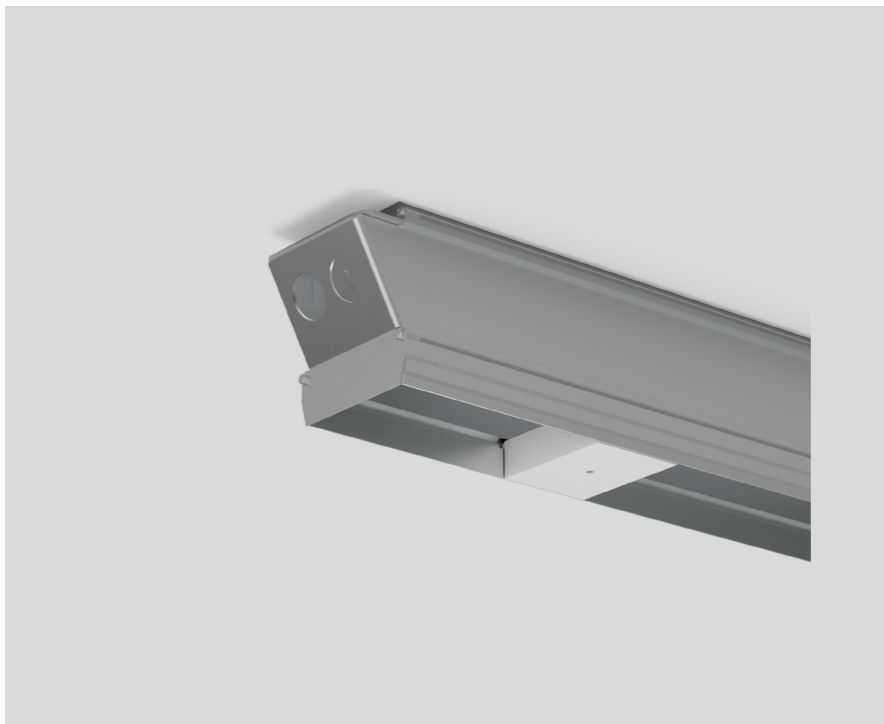
042-7195210



Project / Type

Notes

Count / Date



General

1038 mm

Physical

length 1038 mm

width 57 mm

height 87 mm

recessed trim

Installation instructions



Product drawing

