

CHANNEL surface

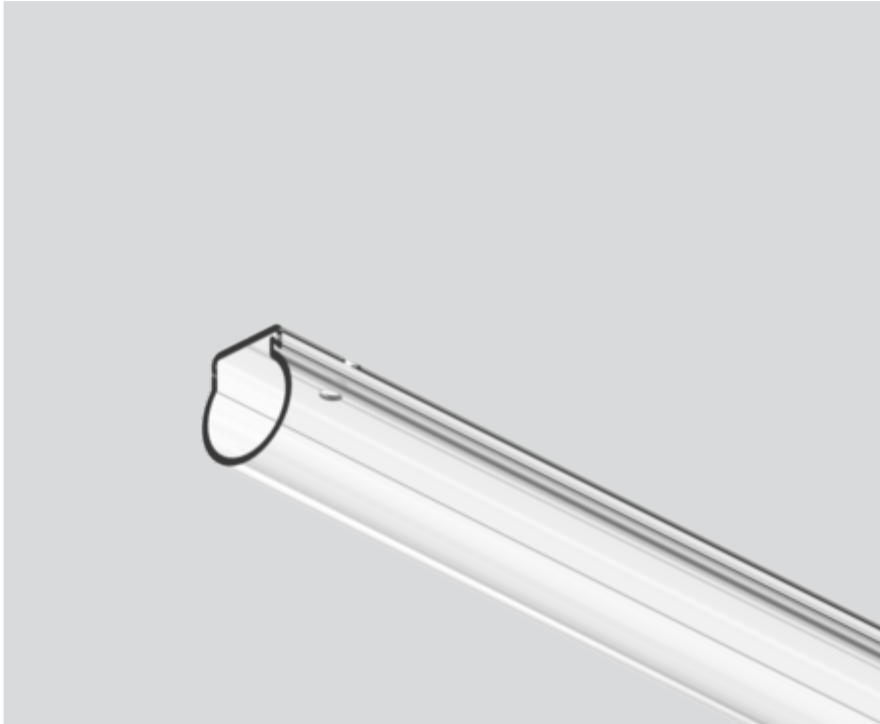
058-6591110



Project / Type _____

Notes _____

Count / Date _____



General

transparent _____

Physical

length 1000 mm _____

width 21 mm _____

height 24 mm _____

0.18 kg _____

surface _____