

MOUNTING CHANNEL

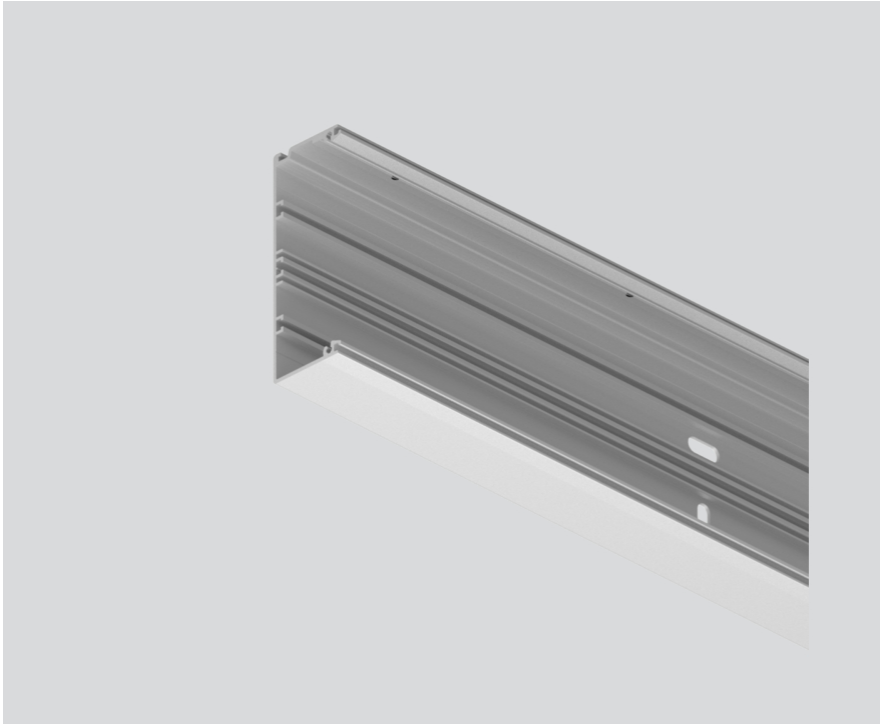
099-9921816



Project / Type

Notes

Count / Date



General

anodised aluminium

Physical

length 3630 mm

width 120 mm

height 43 mm

Product drawing

