

# MOUNTING CHANNEL

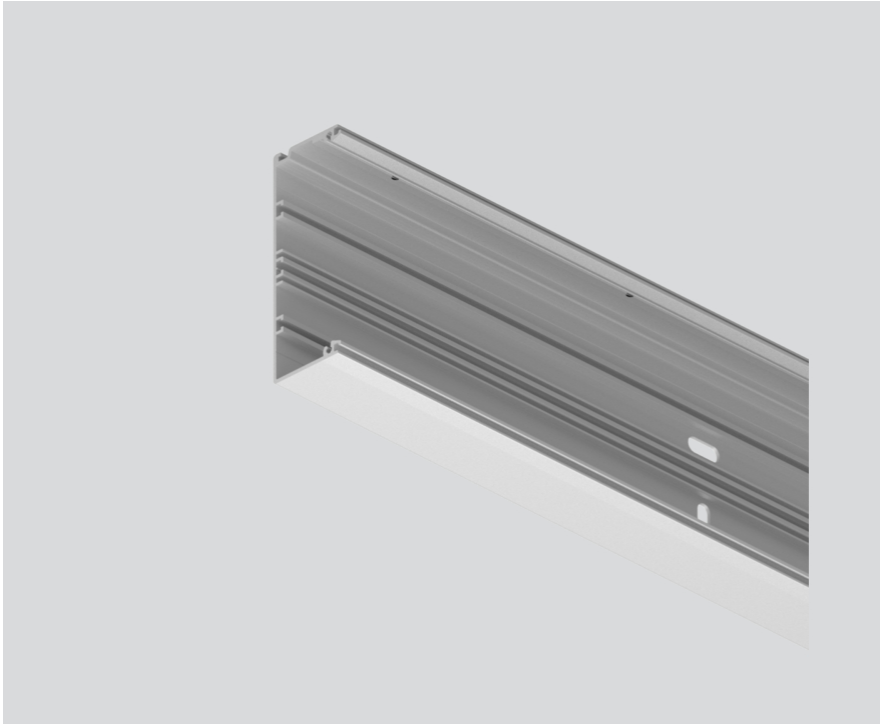
E87240...6



Project / Type

Notes

Count / Date



## General

custom cut

anodised aluminium

## Physical

width 120 mm

height 43 mm

## Product drawing

