

MITA circle 200/240/450

recessed with trim

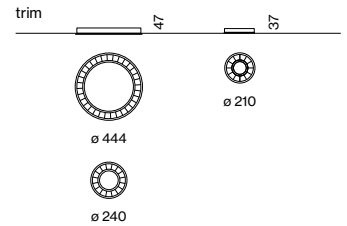
EN Ring shaped luminaire housing in die-cast aluminium; extremely slim design; recessed luminaire with trim; optional: blind cover to cover the cut-out available as an accessory (MITA circle 240/450); suitable for ceiling thickness of 2-25 mm; surface powder coated; high gloss reflector with faceted design; HPO (High Performance Opal) cover for uniform illumination (MITA circle 200); energy-efficient LEDs with very good colour rendering

DE Ringförmiger Leuchtenkörper aus Aluminiumdruckguss; extrem schlanke Bauform; Einbauleuchte mit umlaufendem Rand; optional: Blindabdeckung zum Einlegen im Innenausschnitt als Zubehör erhältlich (MITA circle 240/450); geeignet für Deckenstärken von 2-25 mm; Oberfläche pulverbeschichtet; hochglänzender Reflektor mit Facettenoptik; HPO (High Performance Opal) Abdeckung für homogene Ausleuchtung (MITA circle 200); energieeffiziente LEDs mit sehr guter Farbwiedergabe

Quickinfo

3000 K, 4000 K, TW
 CRI ≥ 80, 3 SDCM
 UGR ≤ 19 / 65° ≤ 1500 cd/m²
 up to 155 lm/W
 L95 @ 50 000 h
 DALI-2
 reflector (UGR ≤ 19), opal

Types



Colours



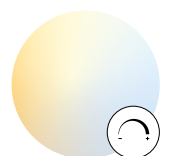
Light distribution



suitable for plaster-board or grid ceilings



DIN EN 12464-1
 UGR ≤ 19



tunable white
 2700-6500K

Order options

COLOUR TEMPERATURE	☑☑
3000K	5
4000K	6
tunable white 2700–6500K*	D
*DALI-2 DT8	

CONTROL	
DALI-2	

MATERIAL COLOUR	☑
○ traffic white RAL 9016	7
● jet black RAL 9005	8

REFLECTOR COLOUR	■
chrome reflector	R
dark chrome reflector	B

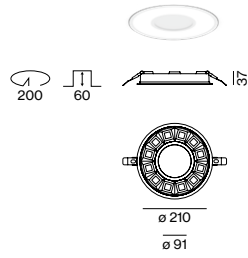
LIGHT OPTIC COVER	
reflector (UGR ≤ 19)	
opal	

Options on request

COLOUR RENDERING INDEX	
CRI ≥ 90	

GRID CEILING MOUNTING	
installed in module 600 × 600 mm	
installed in module 625 × 625 mm	

INLAY	
sensor	
emergency light	



MITA circle 200 trim

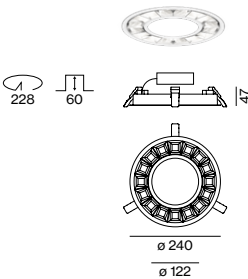


OPAL DIRECT

SYSTEM POWER	COLOUR TEMP.	LUMINOUS FLUX	ORDER CODE
17.5 W	3000K	1760 lm	074-812333☑
	4000K	1830 lm	
21.8 W	2700–6500K	1960 lm	074-8123D3☑

REFLECTOR DIRECT

SYSTEM POWER	COLOUR TEMP.	LUMINOUS FLUX	ORDER CODE
13.5 W	3000K	1800 lm	074-812333☑
	4000K	1870 lm	
15.8 W	2700–6500K	1900 lm	074-8123D3☑



MITA circle 240 trim



REFLECTOR DIRECT

SYSTEM POWER	COLOUR TEMP.	LUMINOUS FLUX	ORDER CODE
13.9 W	3000K	1950 lm	074-811433☑
	4000K	2160 lm	

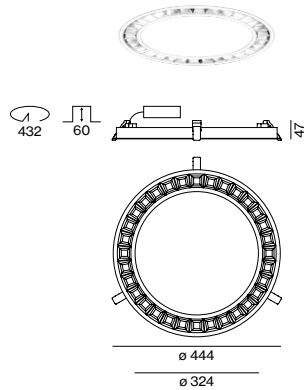
MITA circle 450 trim



REFLECTOR DIRECT

SYSTEM POWER	COLOUR TEMP.	LUMINOUS FLUX	ORDER CODE
30 W	3000K	4220 lm	074-811633☑
	4000K	4650 lm	
41 W*	3000K	5490 lm	074-812633☑
	4000K	6060 lm	

*not for tunable white

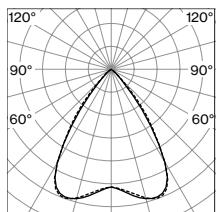


Accessories

BLIND COVER

TYPE	ORDER CODE
MITA 240 circle recessed	074-891141☑
MITA 450 circle recessed	074-891161☑

Light distribution



reflector (UGR ≤ 19)
direct

LUMINOUS FLUX value calculated for CRI ≥ 80, colour white, reflector chrome